

DESCRIPTION

AMC MODEL SWN-AGRA-1DT-TTL-GAK1-LVT OPT. MINUS15V, SMC, INV IS A SINGLE POLE SINGLE THROW, NON-REFLECTIVE SWITCH MODULE WITH VERY LOW INSERTION LOSS, HIGH ISOLATION, INVERTED LOGIC AND WITH INTEGRAL TTL DRIVER, DESIGNED FOR LOW VIDEO TRANSIENTS AND DESIGNED FOR THE 2 GHz TO 18 GHz BANDWIDTH.

SPECIFICATIONS

- FREQUENCY: 2 GHz TO 18 GHz
- INSERTION LOSS: 2.5 dB GOAL, 3.5 dB MAXIMUM
- ISOLATION: -70 dB MINIMUM
- VSWR: 2.0:1
- SPEED: RISE: 5 nS MAXIMUM
FALL: 5 nS MAXIMUM
DELAY ON: 12 nS MAXIMUM
DELAY OFF: 12 nS MAXIMUM
- POWER INPUT: +15 dBm CW MAXIMUM @ 2 GHz TO 18 GHz
- RF CONNECTORS: SMA FEMALE
- DC POWER SUPPLY: +5VDC @ 60 mA MAXIMUM
-15VDC @ 60 mA MAXIMUM
- CONTROL: TTL LOGIC "1"=ON "0"=OFF
- WEIGHT: 1.5 OUNCES TYPICAL
- SIZE: 1.00 (L) X 1.00 (W) X 0.50 (H)

OPTIONS:

- MINUS15V: -15 VOLT POWER SUPPLY
- SMC: SMC CONNECTOR
- INV: INVERTED CONTROL LOGIC

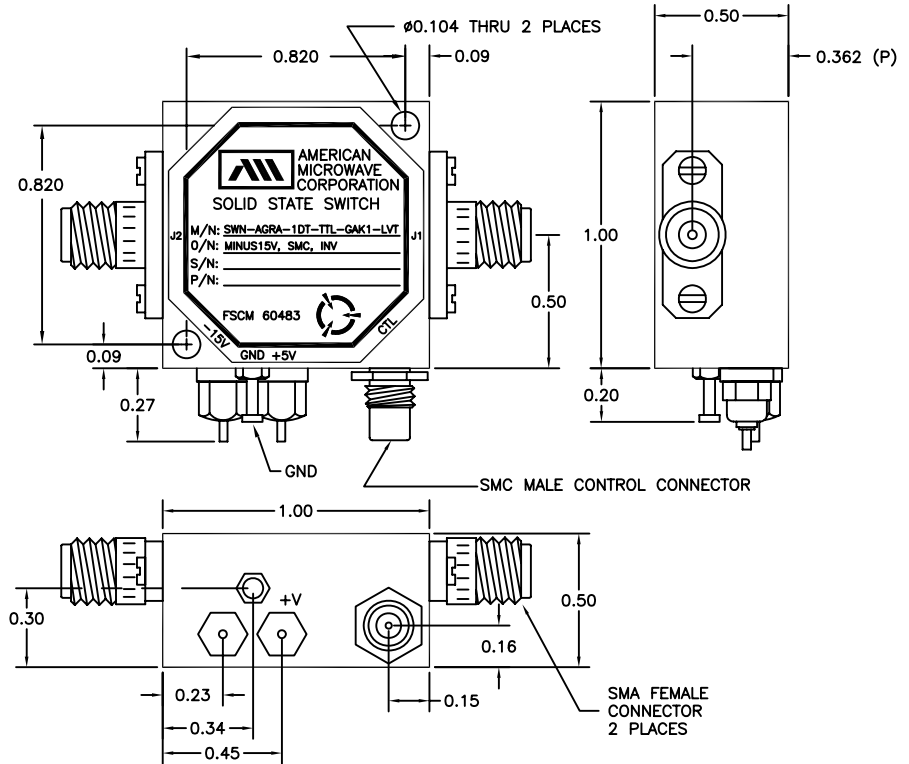
ENVIRONMENTAL RATINGS:

- TEMPERATURE: -55°C TO +125°C (OPERATING)
-65°C TO +125°C (STORAGE)
- HUMIDITY: MIL-STD-202F, METHOD 103B COND. B
- SHOCK: MIL-STD-202F, METHOD 213B COND. B
- VIBRATION: MIL-STD-202F, METHOD 204D COND. B
- ALTITUDE: MIL-STD-202F, METHOD 105C COND. B
- TEMPERATURE CYCLE: MIL-STD-202F, METHOD 107D COND. A

NOTE: SPECIFICATIONS WILL VARY OVER OPERATING TEMPERATURE
NOTE: THE ABOVE SPECIFICATIONS ARE SUBJECT TO CHANGE OR REVISION

ALL DIMENSIONS ARE IN INCHES
TOLERANCES:
X.XX ±0.020
X.XXX ±0.010

REVISIONS				
ECR	REV.	DESCRIPTION	DATE	APPROVED
07-032	-	ORIGINAL RELEASE JOB# 703065X	04/18/07	RA
07-081	A	CHANGE SPECIFICATION	05/24/07	RA



AMERICAN MICROWAVE CORPORATION

7311-G GROVE ROAD
FREDERICK, MARYLAND 21704 USA
TEL: 301-662-4700 FAX: 301-662-4938
WEBSITE: www.americanmicrowavecorp.com
E-MAIL: sales@americanmicrowavecorp.com
ISO 9001:2000 CERTIFIED



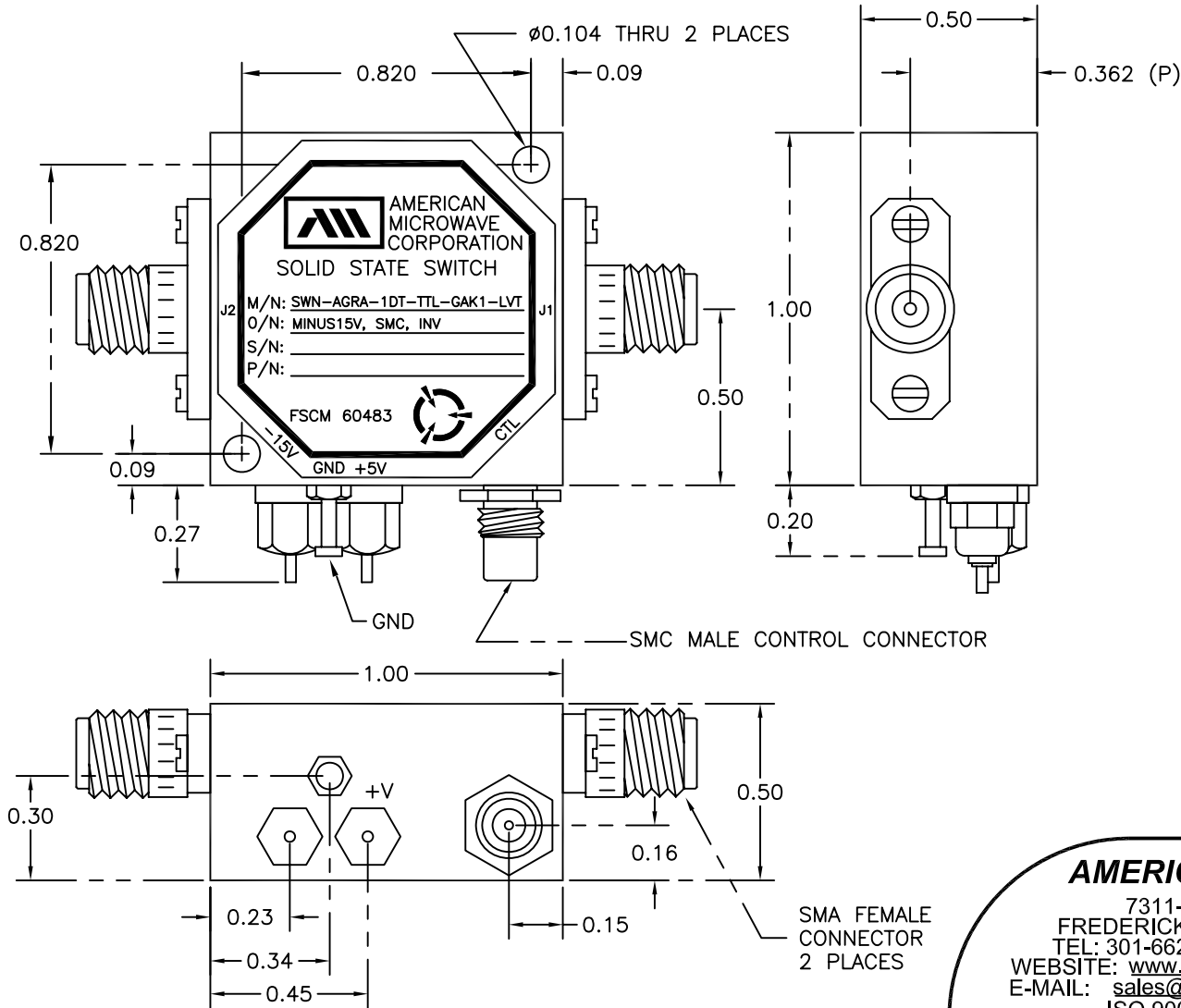
APPROVALS		DATE	TITLE			
DRAWN <i>WLP</i>		05/24/07	PRODUCT FEATURE SWN-AGRA-1DT-TTL-GAK1-LVT			
CHECKED <i>RA</i>		05/24/07	OPTIONS: MINUS15V, SMC, INV 2-18 GHz SINGLE POLE SINGLE THROW SWITCH			
RE-DRAWN			SIZE	FSCM NO.	DWG NO.	REV.
			A	60483	100-S008-000	A
			SCALE	N:S		SHEET
					1 OF 4	

DESCRIPTION

AMC MODEL SWN-AGRA-1DT-TTL-GAK1-LVT OPT. MINUS15V, SMC, INV IS A SINGLE POLE SINGLE THROW, NON-REFLECTIVE SWITCH MODULE WITH VERY LOW INSERTION LOSS, HIGH ISOLATION, INVERTED LOGIC AND WITH INTEGRAL TTL DRIVER, DESIGNED FOR LOW VIDEO TRANSIENTS AND DESIGNED FOR THE 2 GHz TO 18 GHz BANDWIDTH.

REVISIONS				
ECR	REV.	DESCRIPTION	DATE	APPROVED
07-032	-	ORIGINAL RELEASE JOB# 703065X	04/18/07	RA
07-081	A	CHANGE SPECIFICATION	05/24/07	RA

MECHANICAL OUTLINE



ALL DIMENSIONS ARE IN INCHES
TOLERANCES:
X.XX ±0.020
X.XXX ±0.010

AMERICAN MICROWAVE CORPORATION

7311-G GROVE ROAD
FREDERICK, MARYLAND 21704 USA
TEL: 301-662-4700 FAX: 301-662-4938
WEBSITE: www.americanmicrowavecorp.com
E-MAIL: sales@americanmicrowavecorp.com
ISO 9001:2000 CERTIFIED



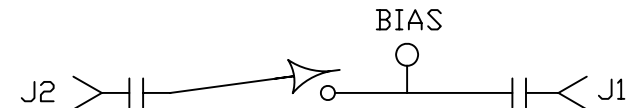
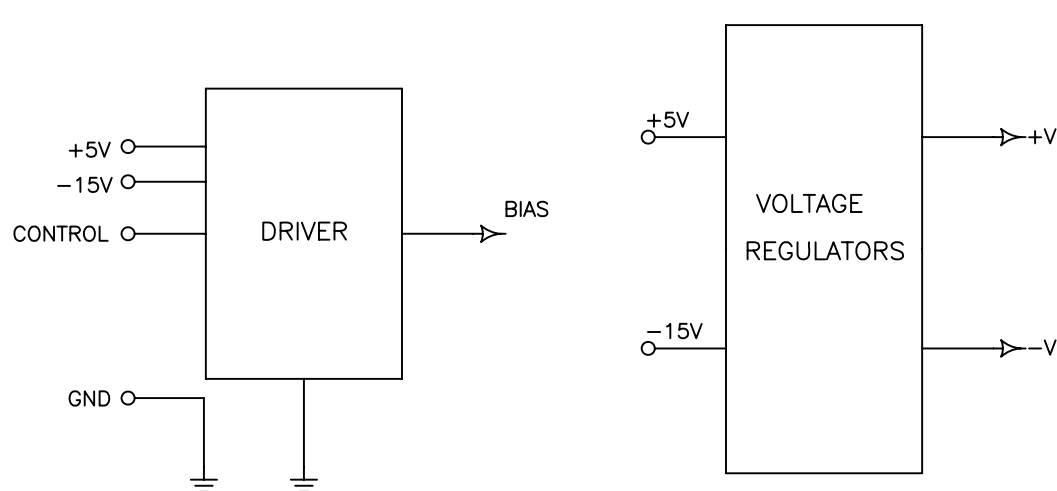
APPROVALS		DATE	TITLE		
DRAWN <i>WFL</i>		05/24/07	MECHANICAL OUTLINE SWN-AGRA-1DT-TTL-GAK1-LVT		
CHECKED <i>RA</i>		05/24/07	OPTIONS: MINUS15V, SMC, INV 2-18 GHz SINGLE POLE SINGLE THROW SWITCH		
RE-DRAWN			SIZE A	FSCM NO. 60483	REV. A
			SCALE N:S	DWG NO. 100-S008-000	SHEET 2 OF 4

DESCRIPTION

AMC MODEL SWN-AGRA-1DT-TTL-GAK1-LVT OPT. MINUS15V, SMC, INV IS A SINGLE POLE SINGLE THROW, NON-REFLECTIVE SWITCH MODULE WITH VERY LOW INSERTION LOSS, HIGH ISOLATION, INVERTED LOGIC AND WITH INTEGRAL TTL DRIVER, DESIGNED FOR LOW VIDEO TRANSIENTS AND DESIGNED FOR THE 2 GHz TO 18 GHz BANDWIDTH.

REVISIONS				
ECR	REV.	DESCRIPTION	DATE	APPROVED
07-032	-	ORIGINAL RELEASE JOB# 703065X	04/18/07	RA
07-081	A	CHANGE SPECIFICATION	05/24/07	RA

FUNCTIONAL BLOCK DIAGRAM



AMERICAN MICROWAVE CORPORATION

7311-G GROVE ROAD
 FREDERICK, MARYLAND 21704 USA
 TEL: 301-662-4700 FAX: 301-662-4938
 WEBSITE: www.americanmicrowavecorp.com
 E-MAIL: sales@americanmicrowavecorp.com
 ISO 9001:2000 CERTIFIED



APPROVALS		DATE	TITLE		
DRAWN <i>WJL</i>		05/24/07	FUNCTIONAL BLOCK DIAGRAM SWN-AGRA-1DT-TTL-GAK1-LVT		
CHECKED <i>RA</i>		05/24/07	OPTIONS: MINUS15V, SMC, INV 2-18 GHz SINGLE POLE SINGLE THROW SWITCH		
RE-DRAWN			SIZE A	FSCM NO. 60483	DWG NO. 100-S008-000
			SCALE N:S	SHEET 3 OF 4	